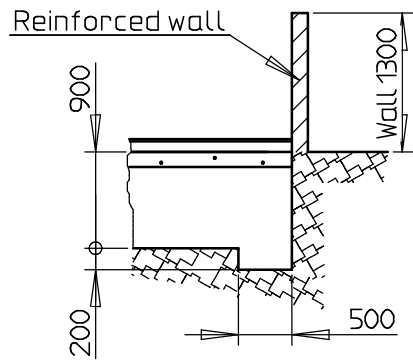
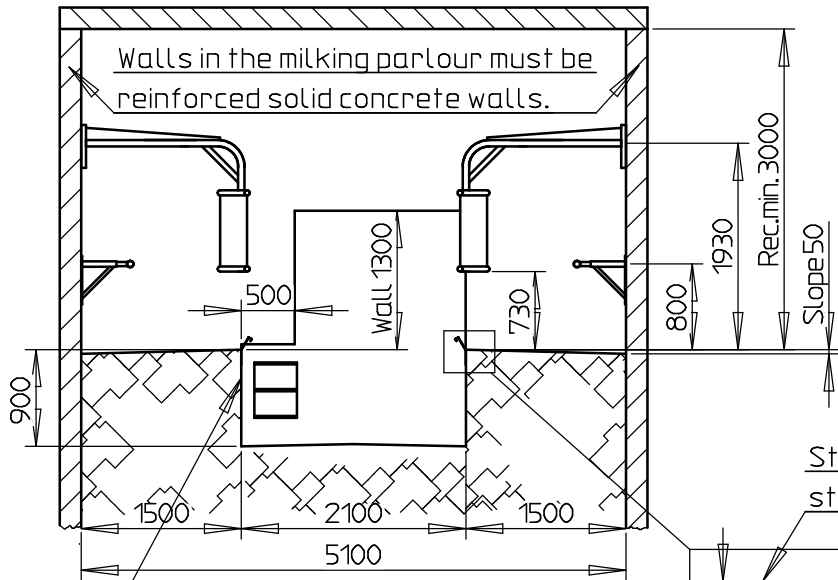


Section B-B

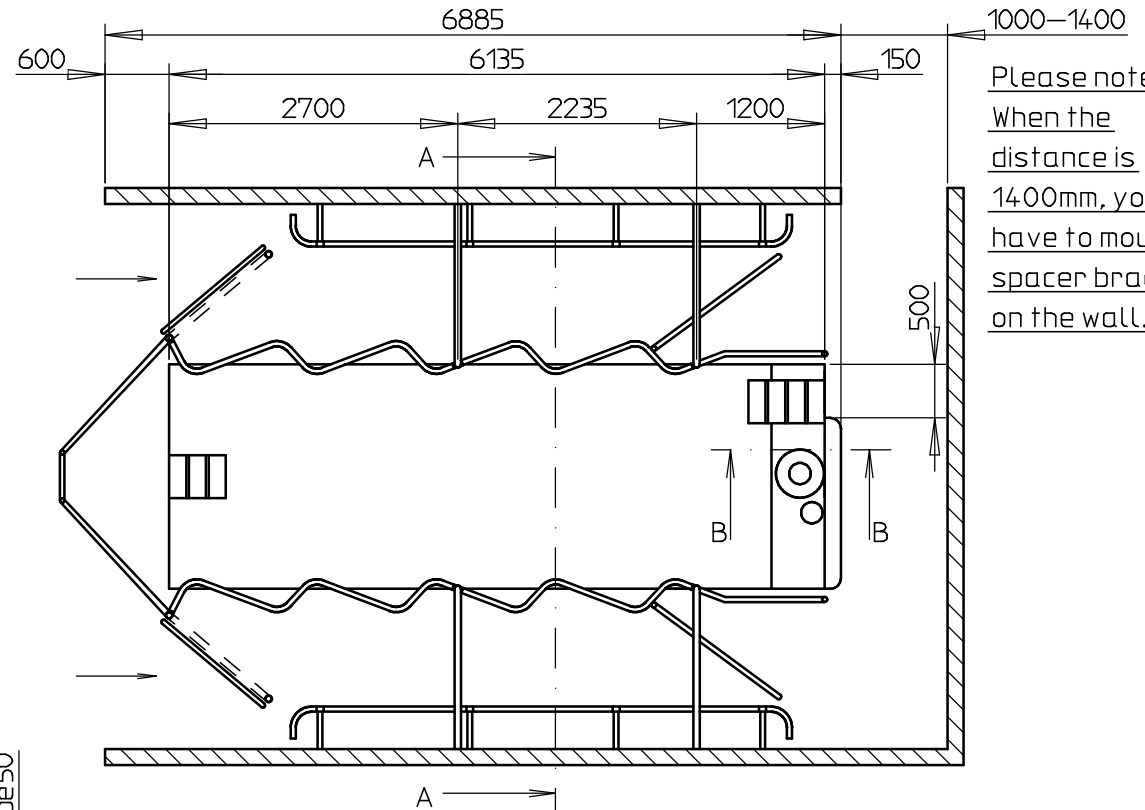


Section A-A



Walls in the milk pit must be vertical

Stainless steel edge is to be bolted to the edge.



Please note!

Ventilation:
During building up there must be provided the necessary ventilation to prevent condensed water in the milking parlour.

All measures in mm

The walls of the milking Parlour, on which you mount the stall construction must be flat. No posts, rafters etc. are allowed as they might obstruct to the cows.

STRANGKO A/S		Tolerance:	Overflade:	Målestok: 1:50.0	Vejl:
HORNE, DK-6800 VARDE				Materiale:	
TLF. +4575260211				Dimension:	
				Beskrivelse:	
				Milking Parlour 2x4 Extra	
		Date	Navn	Tegningsnummer:	
		Tegn. 20.10.00	jla	02 204 021 01	
		Kont.		Side: 1	
		Afd.		Ers. f.:	
Rev.	Retfelse	Dato	Navn	Original:	Basnavn: