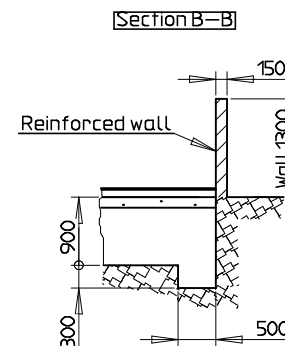
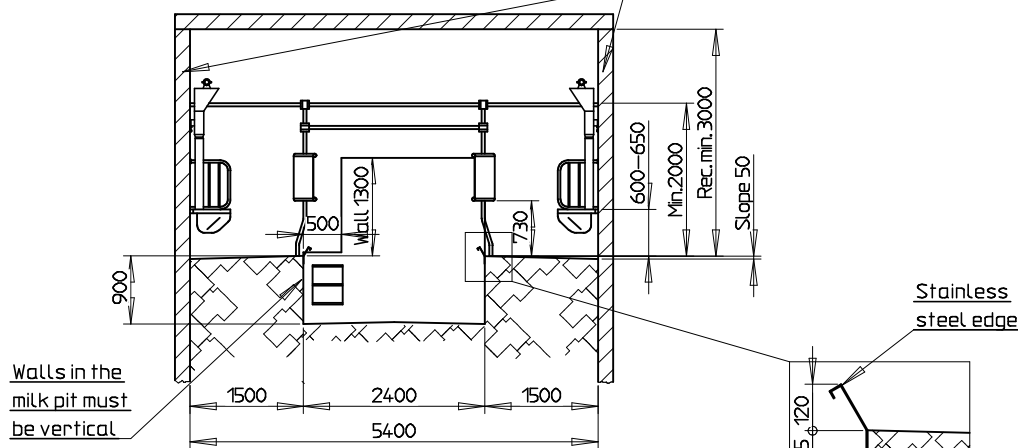


Please note:  
When the distance is 1400mm, you have to mount spacer brace on the wall.



Section A-A

Walls in the milking parlour must be reinforced solid concrete walls.



Walls in the milk pit must be vertical

Stainless steel edge

Stainless steel edge is to be bolted to the edge.

Please note!  
Ventilation:  
During building up there must be provided the necessary ventilation to prevent condensed water in the milking parlour.

The walls of the milking Parlour, on which you mount the stall construction must be flat. No posts, rafters etc. are allowed as they might obstruct to the cows.

All measures in mm

STRANGKO A/S		Tolerance:	Overload:	Målestok: 1:050,0	Vægt:
HORNE, DK-6800 VARDE				Materiale:	
Tlf. +4575260211				Dimension:	
				Beskrivelse:	
				Milking Parlour 2x12 Std. with feedtrough	
				Tegningnummer:	Side:
C	Opdateret tegning	24.08.04 jla	Tegn.	17.10.00 jla	
B	Opdateret tegning	03.11.03 kgm	Korr.		
A	Opdateret tegning	19.10.00 jla	Ans.		
Rev.	Rettelser	Dato	Navn	Original:	Ansvar:
				01 212 039 01 1	
				Ers. f.:	