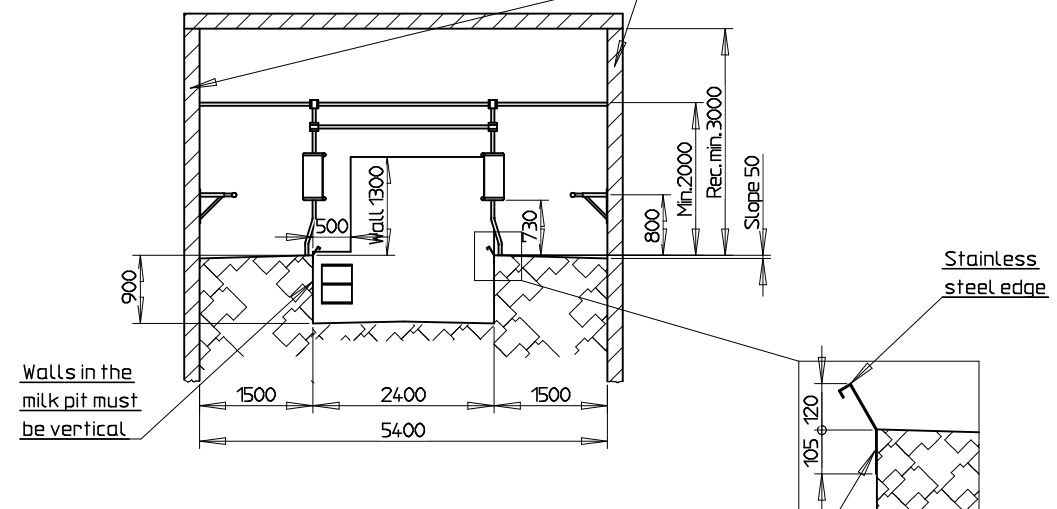


Please note:
 When the distance is
 1400mm, you have to
 mount spacer brace on
 the wall.

Section A-A

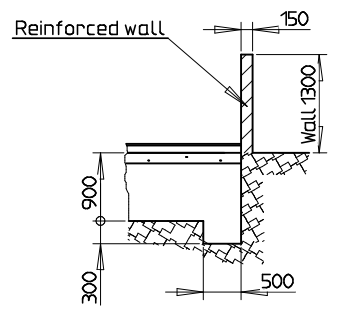
Walls in the milking parlour
 must be reinforced solid
 concrete walls.



Walls in the
 milk pit must
 be vertical

Stainless steel edge
 is to be bolted to the edge.

Section B-B



Please note!
 Ventilation:
 During building up there must be
 provided the necessary ventilation
 to prevent condensed water in the
 milking parlour.

The walls of the milking
 Parlour, on which you mount
 the stall construction must
 be flat. No posts, rafters etc.
 are allowed as they might
 obstruct to the cows.

All measures in mm

STRANGKO A/S		Tolerance:	Overload:	Målestok: 1:050,0	Vægt:
HORNE, DK-6800 VARDE				Materiale:	
Tlf. +4575260211				Dimension:	
				Beskrivelse:	
				Milking parlour 2x14 30' std.	
				Tegningsnummer:	Side:
				01 214 005 01	1
A	Opdateret tegning	24.08.04	ÅA		
Rev.	Retelse	Date	Navn	Original:	Erh. f.: