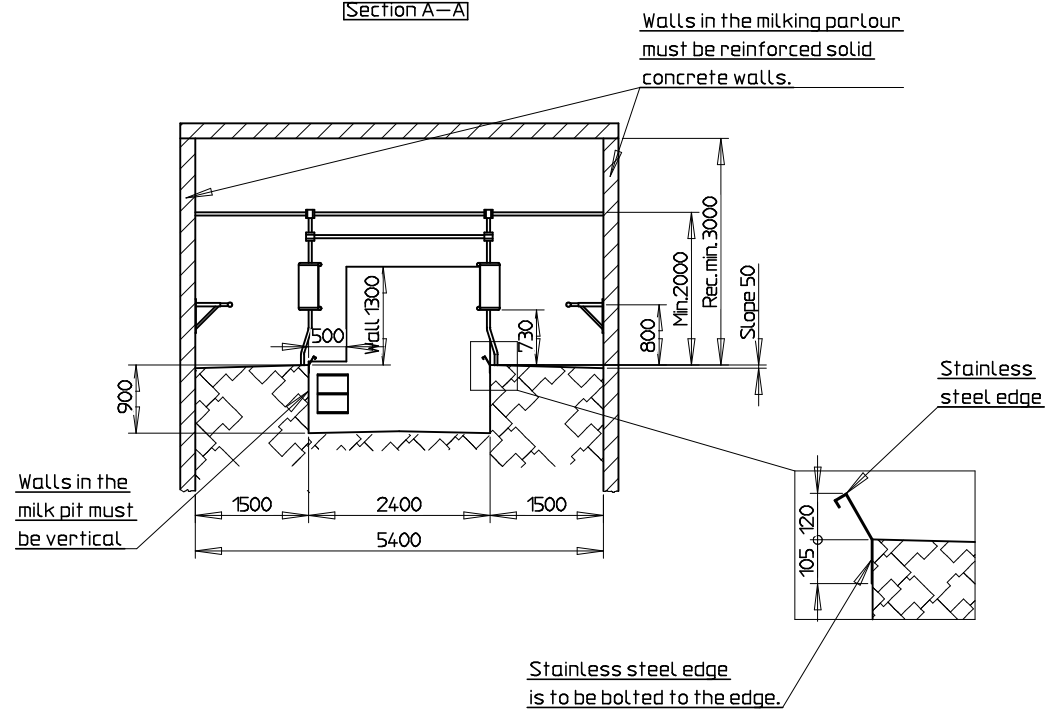
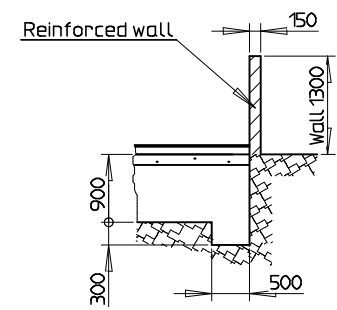


Please note:
When the distance is 1400mm, you have to mount spacer brace on the wall.

Section A-A



Section B-B



Please note!
Ventilation:
During building up there must be provided the necessary ventilation to prevent condensed water in the milking parlor.

The walls of the milking Parlor, on which you mount the stall construction must be flat. No posts, rafters etc. are allowed as they might obstruct to the cows.

All measures in mm

STRANGKO A/S		Tolerance:	Overload:	Målestak: 1:50	Vægt:
HORNE, DK-6800 VARDE				Materiale:	
Tlf. +4575260211				Dimension:	
				Beskrivelse:	
				Milking parlour 2x16 30' std.	
				Tegningsnummer:	Side:
				01 216 005 01	1
A Opdateret tegning		24.08.04 jla			
Rev.		Date Navn Original:		Ers. f.:	
				Beskrivelse:	