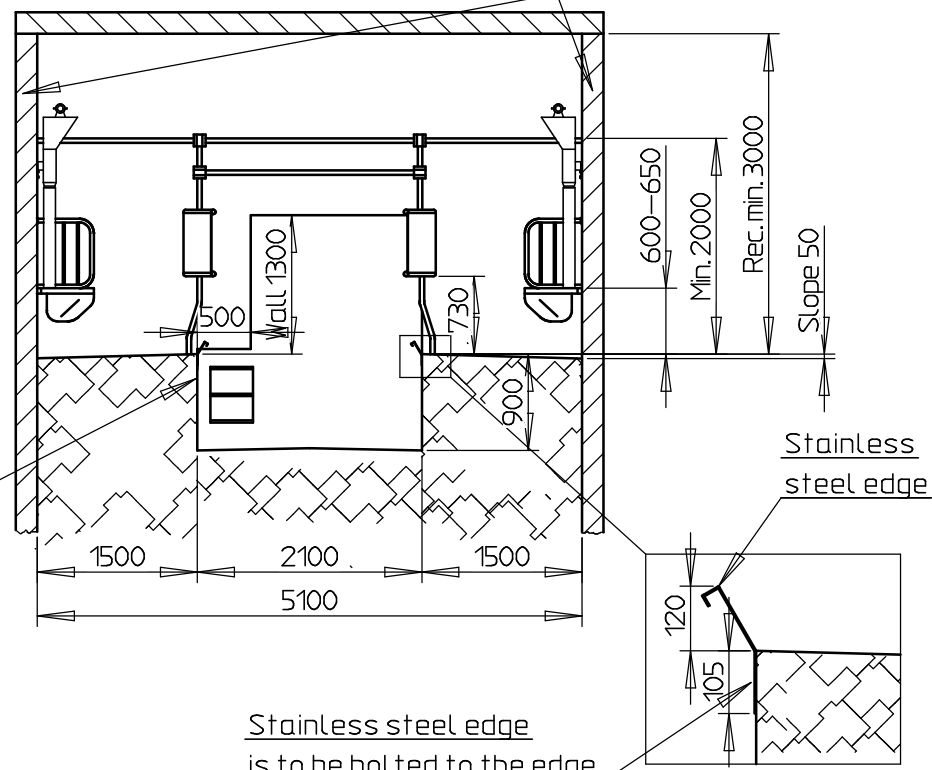


1000 – 1400  
 Please note:  
 When the distance is 1400mm, you have to mount spacer brace on the wall.

Walls in the milk pit must be vertical

Section A-A

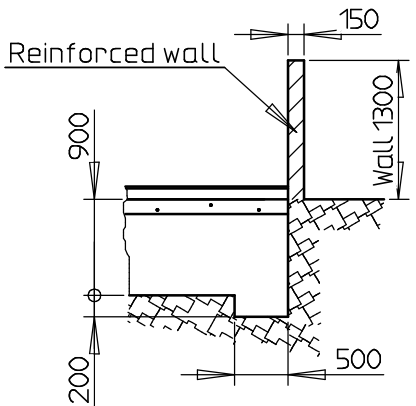


Walls in the milking parlour must be reinforced solid concrete walls.

Stainless steel edge

Stainless steel edge is to be bolted to the edge.

Section B-B



Please note!

Ventilation:  
 During building up there must be provided the necessary ventilation to prevent condensed water in the milking parlour.

The walls of the milking Parlour, on which you mount the stall construction must be flat. No posts, rafters etc. are allowed as they might obstruct to the cows.

All measures in mm

<b>STRANGKO A/S</b> HORNE, DK-6800 VARDE TLF. +4575260211				Tolerance:	Overflade:	Målestok: 1:0.50	Vegl:
						Materiale:	
						Dimension:	
						Beskrivelse:	
						Milking Parlour 2x4 Std with feedtrough	
				Date	Navn	Tegningsnummer:	Side:
C	Opdateret tegning	24.08.04	jla	Tegn.	13.10.00	jla	
B	Opdateret tegning	03.11.03	kgm	Kont.			
A	Opdateret tegning	19.10.00	jla	Afd.			
Rev.	Retfælse	Dato	Navn	Original:		Ers. f.:	Besnavn:
						01 204 026 01	1