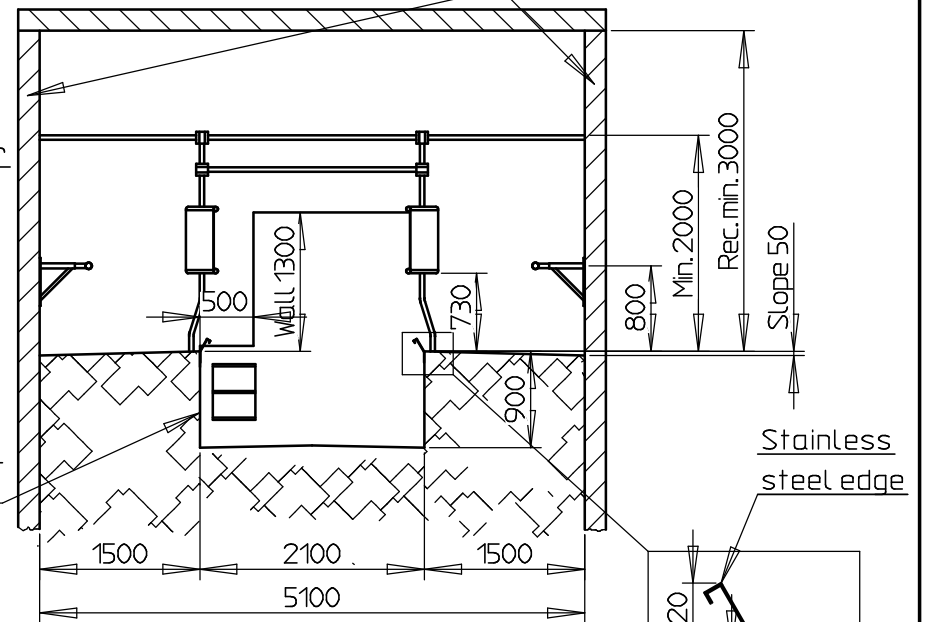


1000-1400
Please note:
When the distance is 1400mm, you have to mount spacer brace on the wall.

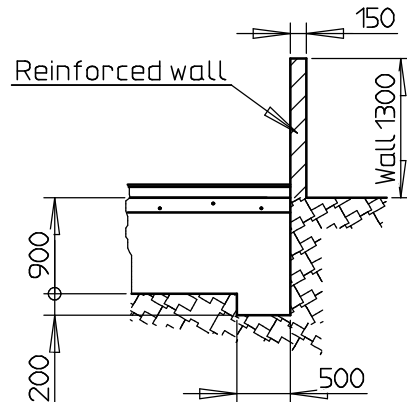
Walls in the milk pit must be vertical

Section A-A



Stainless steel edge is to be bolted to the edge.

Section B-B



Please note!
Ventilation:
During building up there must be provided the necessary ventilation to prevent condensed water in the milking parlour.
All measures in mm

The walls of the milking Parlour, on which you mount the stall construction must be flat. No posts, rafters etc. are allowed as they might obstruct to the cows.

STRANGKO A/S				Tolerance:		Overflode:		Målestok: 1:50.0		Vejl:	
HORNE, DK-6800 VARDE								Materiale:			
TLF. +4575260211								Dimension:			
								Beskrivelse:		Milking Parlour 2x5 Std.	
								Tegningsnummer:		01 205 015 01	
								Side:		1	
C Opdateret tegning 24.08.04 jla				Tegn. 17.10.00		jla		Ers. f.:		Besnavn:	
B Opdateret tegning 30.10.03 kgm				Kont.							
A Opdateret tegning 19.10.00 jla				Afd.							
Rev. Retfælse				Date		Navn		Original:			