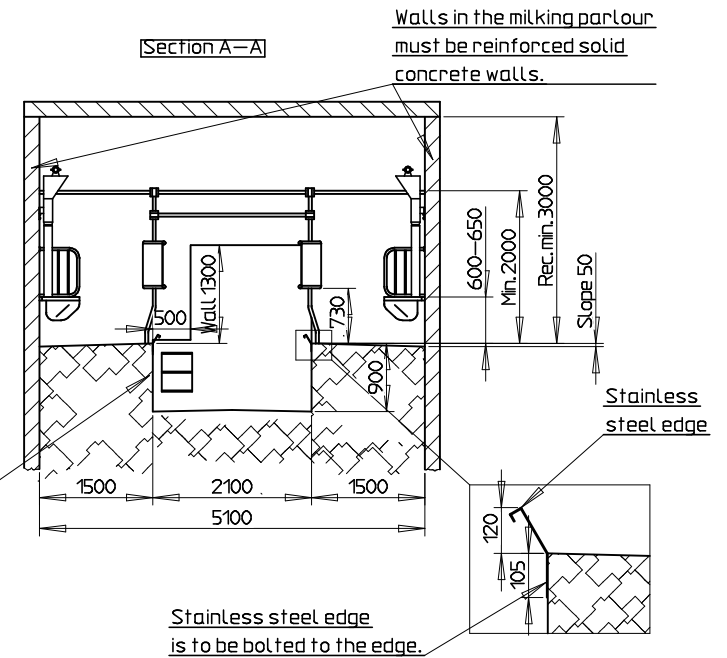
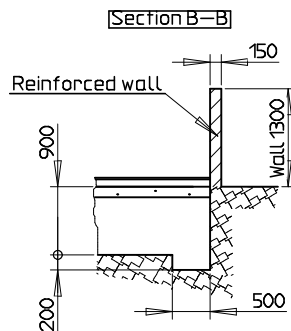


Please note:
When the distance is 14.00mm, you have to mount spacer brace on the wall.



Walls in the milk pit must be vertical

Stainless steel edge is to be bolted to the edge.



Please note!
Ventilation:
During building up there must be provided the necessary ventilation to prevent condensed water in the milking parlour.

The walls of the milking Parlour, on which you mount the stall construction must be flat. No posts, rafters etc. are allowed as they might obstruct to the cows.

All measures in mm

STRANGKO A/S		Tolerance:	Overload:	Målestok:	1:0,50,0	Vægt:
HORNE, DK-6800 VARDE				Materiale:		
Tlf. +4575260211				Dimension:		
				Beskrivelse:	Milking Parlour 2x6 Std with feedtrough	
					Tegningsnummer:	01 206 039 01
C	Opdateret tegning	24.08.04	År	Tegn.	17.10.00	År
B	Opdateret tegning	03.11.03	Kgm	Kont.		
A	Opdateret tegning	19.10.00	År	År.		
Rev.	Retelse	Date	Navn	Original:		
					Frø. f.:	Beskriv.