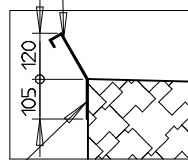


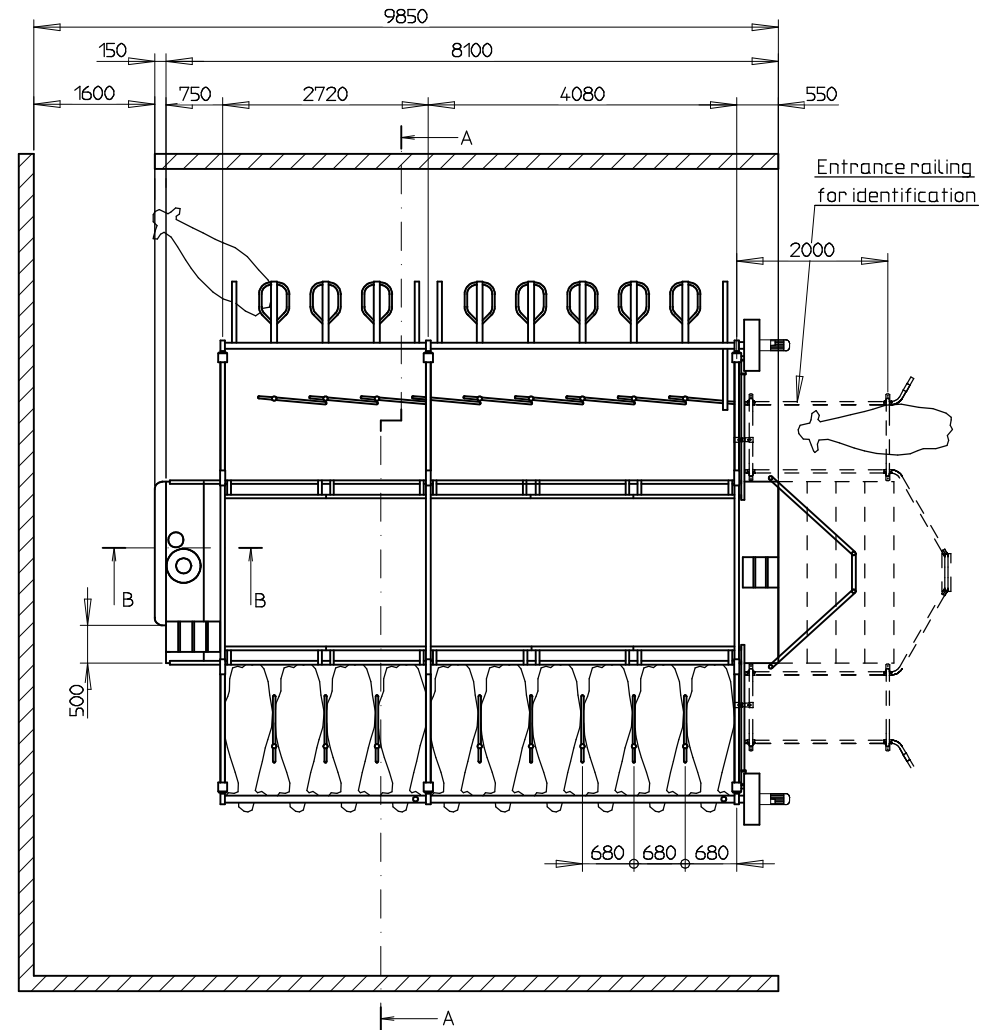
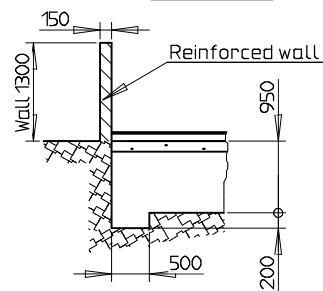
Walls in the milk pit must be vertical

Stainless steel edge



Stainless steel edge is to be bolted to the edge.

Section B-B



Please note!

Ventilation:

During building up there must be provided the necessary ventilation to prevent condensed water in the milking parlour.

All measures in mm

STRANGKO A/S		Tolerance:	Overload:	Målestok: 1:50	Vægt:
HORNE, DK-6800 VARDE				Materiale:	
Tlf. +4575260211				Dimension:	
				Beskrivelse:	
				Milking Parlour 2x10	
				Parallel with Rotor Exit	
D	Change column	07.12.05	JLJ		
D	Entrance id-railing	07.12.05	JLJ	Date	Navn
C	Endr. stolpe for rotorbom	20.02.04	JLJ	Tegn.	01.11.00 JLJ
B	Tværgalge	04.04.01	JLJ	Kont.	
A	Opdateret tegning	03.11.00	JLJ	Ans.	
Rev.	Retelse	Date	Navn	Original:	
				Fra. f.:	Beskriv.
				07 210 003 01 1	