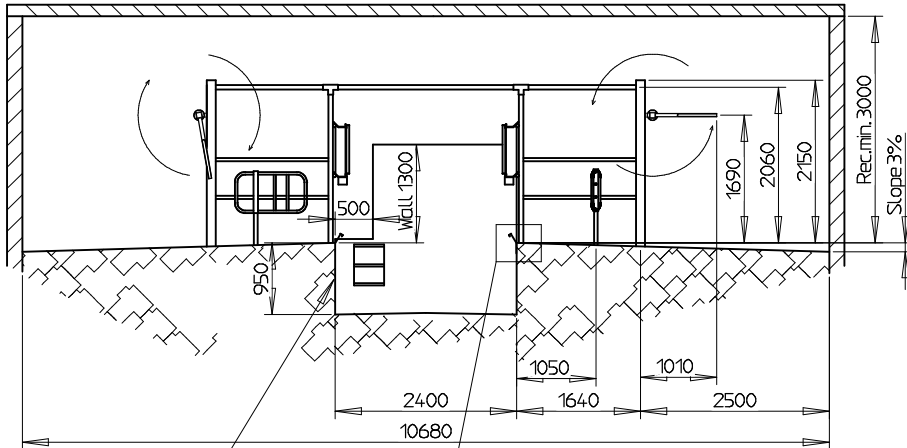
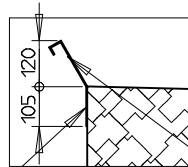


Section A-A



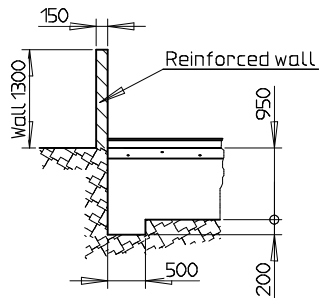
Walls in the milk pit must be vertical



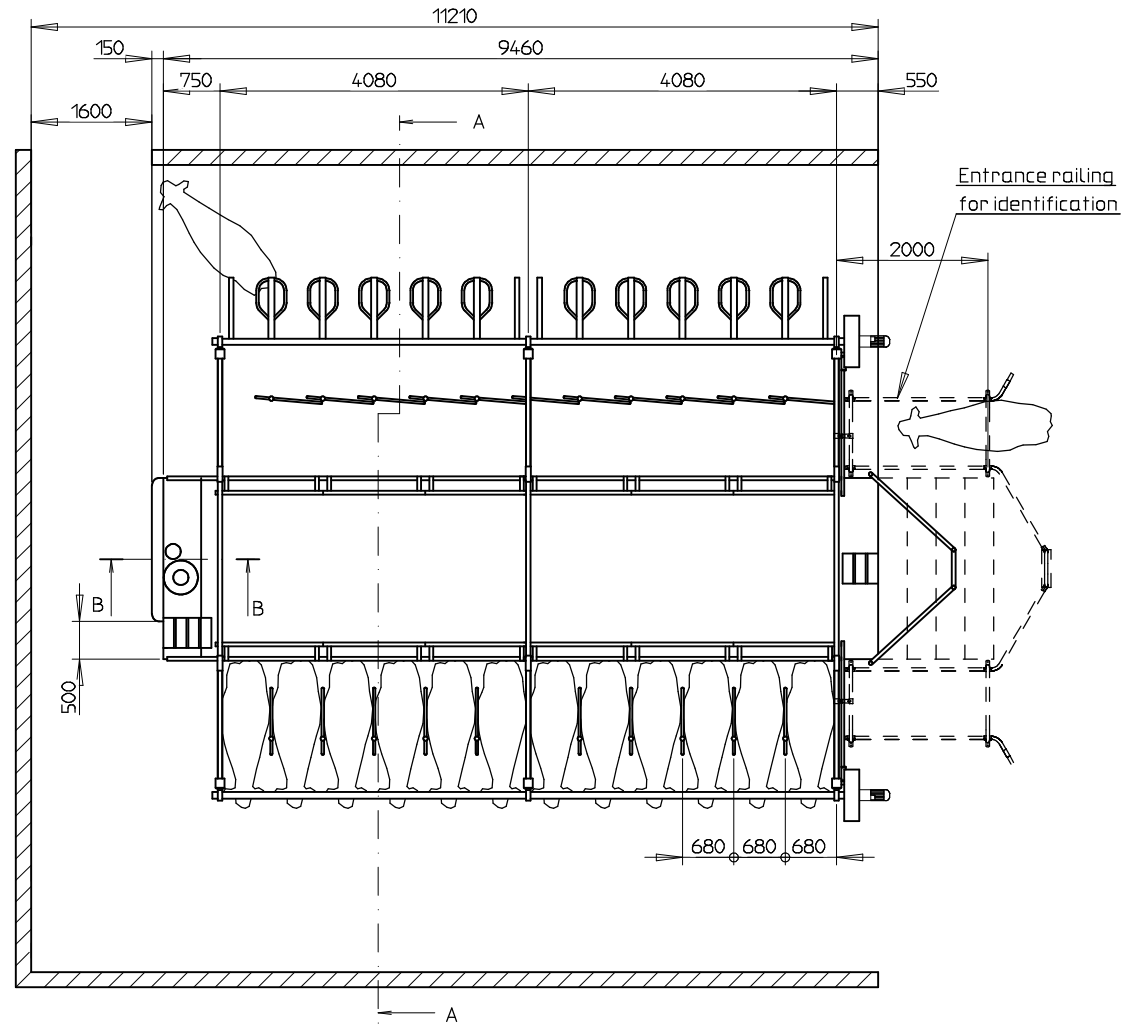
Stainless steel edge

Stainless steel edge is to be bolted to the edge.

Section B-B



Reinforced wall



Entrance railing for identification

Please note!

Ventilation:

During building up there must be provided the necessary ventilation to prevent condensed water in the milking parlour.

All measures in mm

<b>STRANGKO A/S</b>		Tolerance:	Overload:	Målestok: 1:50	Vægt:
HORNE, DK-6800 VARDE				Materiale:	
Tlf. +4575260211				Dimension:	
				Beskrivelse:	
				Milking Parlour 2x12	
				Parallel rotor exit	
D	Change column	07.12.05	JLJ		
D	Entrance id-railing	07.12.05	JLJ		
C	Endr. stolpe f. rotorbom	20.02.04	JLJ	Date	Navn
B	Tværgalge	04.04.01	JLJ	Tegn.	01.11.00 JLJ
A	Opdateret tegning	03.11.00	JLJ	Kont.	
Rev.	Retelse	Data	Navn	Original:	
				Tegningsnummer:	07 212 004 01
				Side:	1
				Proj. f.:	
				Design:	