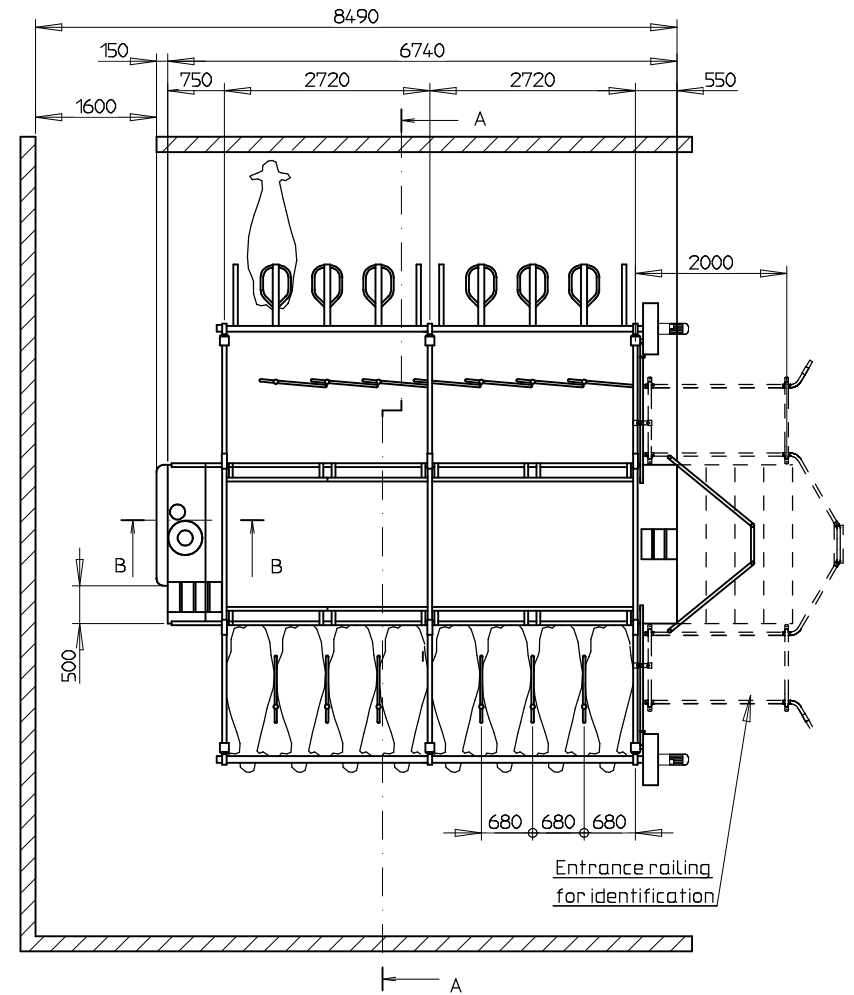
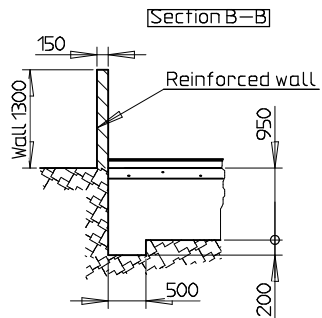
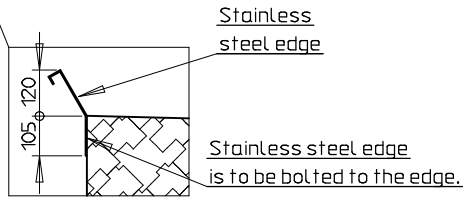


Walls in the milk pit must be vertical



Please note!

Ventilation:

During building up there must be provided the necessary ventilation to prevent condensed water in the milking parlor.

All measures in mm

STRANGKO A/S		Tolerance:	Overload:	Målestok:	1:50	Vægt:
HORNE, DK-6800 VARDE				Materiale:		
Tlf. +4575260211				Dimension:		
				Beskrivelse:	Milking ParLOUR 2x8 Parallel with Rotor Exit	
D	Entrance ID-railing	07.12.05	JLJ			
D	Change column	07.12.05	JLJ			
C	Endr. stolpe f. rotorbom	20.02.04	JLJ			
B	Tværgalge	04.04.01	JLA	Tegn.	01.11.00	JLA
A	Opdateret tegning	03.11.00	JLA	Kont.		
Rev.	Retelse	Data	Navn	Original:		
				Tegningsnummer:	07 208 016 01	Sider:
				Frs. f.:		1
				Beskrivn.:		